

WARNING:
 CAPACITOR CIRCUIT
 MAY BE ENERGIZED
 EVEN WHEN SWITCHES
 OR CIRCUIT CAPACITORS
 BEFORE HANDLING.

AVERTISSEMENT:
 LE CIRCUIT À CONDENSATEUR
 PEUT ÊTRE ALIMENTÉ
 APRÈS DÉBRANCHEMENT
 DES CONTACTS ET
 LES CONDENSATEURS
 AVANT DE MANIPULER.

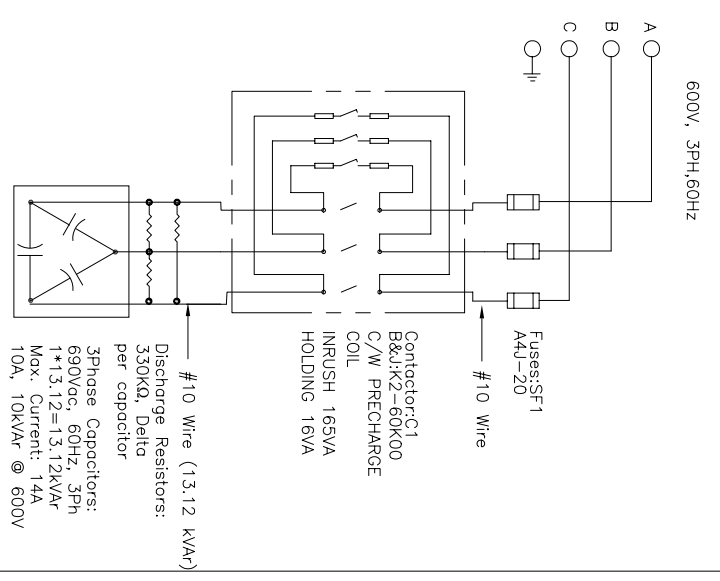
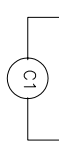
5 min warning
 label supplied
 loose

- 1 Capacitors
- 2 Contactor
- 3 Fuseholder/termination
- 4 Ground stud

NOTES
 1) All dimensions are in mm.

THIS DRAWING IS THE PROPERTY OF
 ELECTROTEK LTD.
 THE INFORMATION AND TECHNOLOGY
 HERE-ON MAY NOT BE USED NOR
 REPRODUCED WITHOUT THE WRITTEN
 PERMISSION OF ELECTROTEK LTD.
 ALL REPRODUCTIONS, IN WHOLE OR
 IN PART, INCLUDING SHOP DRAWINGS,
 SHALL REFER TO THIS CLAUSE.

120VAC CONTROL BY CUSTOMER



ELECTROTEK LTD.
 1016 34th AVE SE CALGARY, AB
 CANADA T2G 1V4
 TEL +403 287 2200
 FAX +403 287 3808

REV	DATE	DESCRIPTION	BY
-	-	-	-
APPROVED		DATE	
SCALE		1:9	
DRAWN		CAS	
DATE		13/07/04	
DRAWING #		04-SAMPLE-1	
SHEET		1 OF 1	REV -
PROJECT		SAMPLE	
DRAWING TITLE		SWITCHED FUSED PACKAGED CAPACITOR	
MODEL/SERIAL #		R500sf-10K600V	