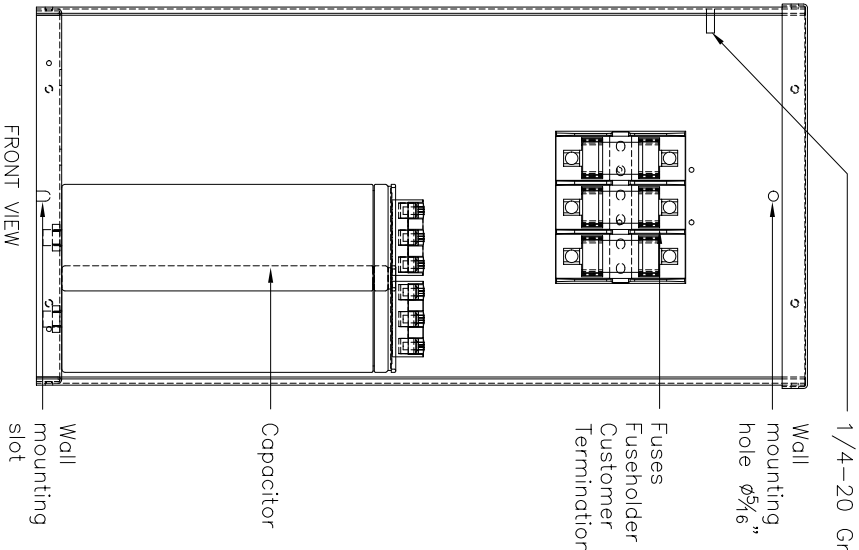
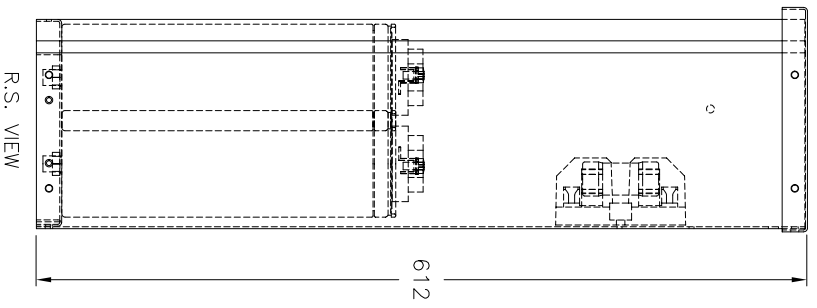


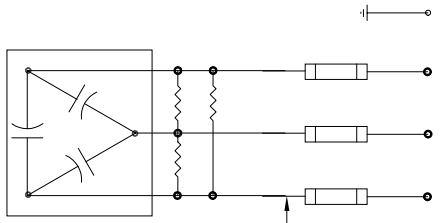
TOP VIEW



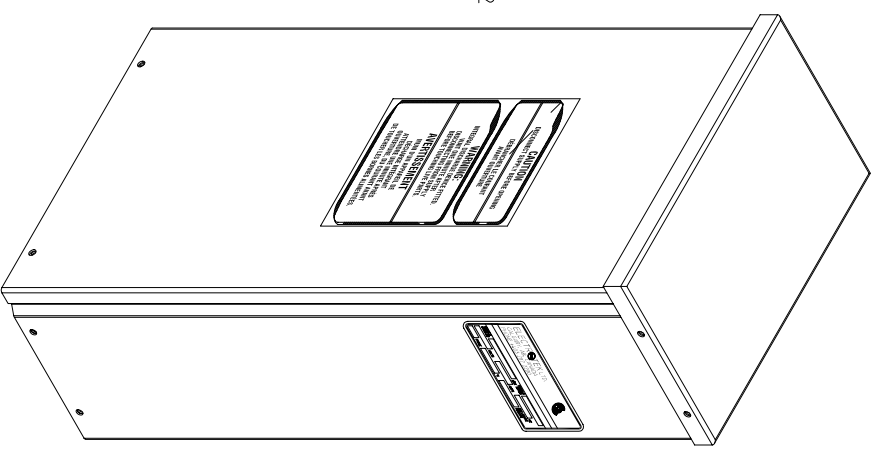
FRONT VIEW



R.S. VIEW



3PHASE CAPACITORS:
 2*19.67=39.34kVAR
 690VAC, 60HZ, 3PH
 MAX CURRENT: 42.7A
 28.9A, 30kVAR @ 600VOLTS



THIS DRAWING IS THE PROPERTY OF ELECTROTEK LTD. THE INFORMATION AND TECHNOLOGY HERE-ON MAY NOT BE USED NOR REPRODUCED WITHOUT THE WRITTEN PERMISSION OF ELECTROTEK LTD. ALL REPRODUCTIONS, IN WHOLE OR IN PART, INCLUDING SHOP DRAWINGS, SHALL REFER TO THIS CLAUSE

- NOTES
 1) ALL DIMENSIONS IN MM
 2) NEMA 3R GALVANIZED

REV	DATE	DESCRIPTION	BY
-	-	-	-

APPROVED _____ DATE _____
 NAME _____

ELECTROTEK LTD.
 1016 34th AVE SE CALGARY, AB
 CANADA T2G 1V4
 TEL +403 287 2200
 FAX +403 287 3808

SCALE 1 : 6
 DESIGNED JUV
 DRAWN CAS
 CHECKED APPROVED
 DATE 19/12/05
 PROJECT

DRAWING TITLE
FUSED PACKAGED CAPACITOR
 MODEL/SERIAL #
R500f-30k600v

SHEET 1	OF 1	REV
DRAWING SIZE B		
DRAWING #		