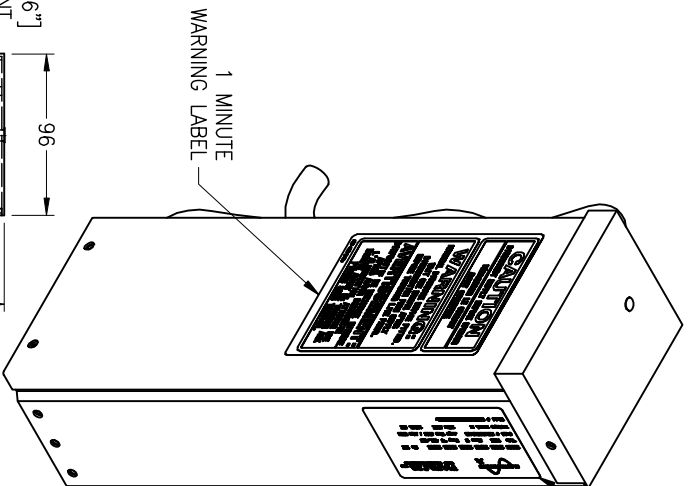
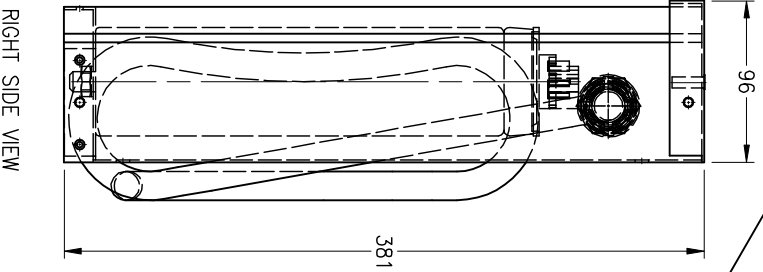
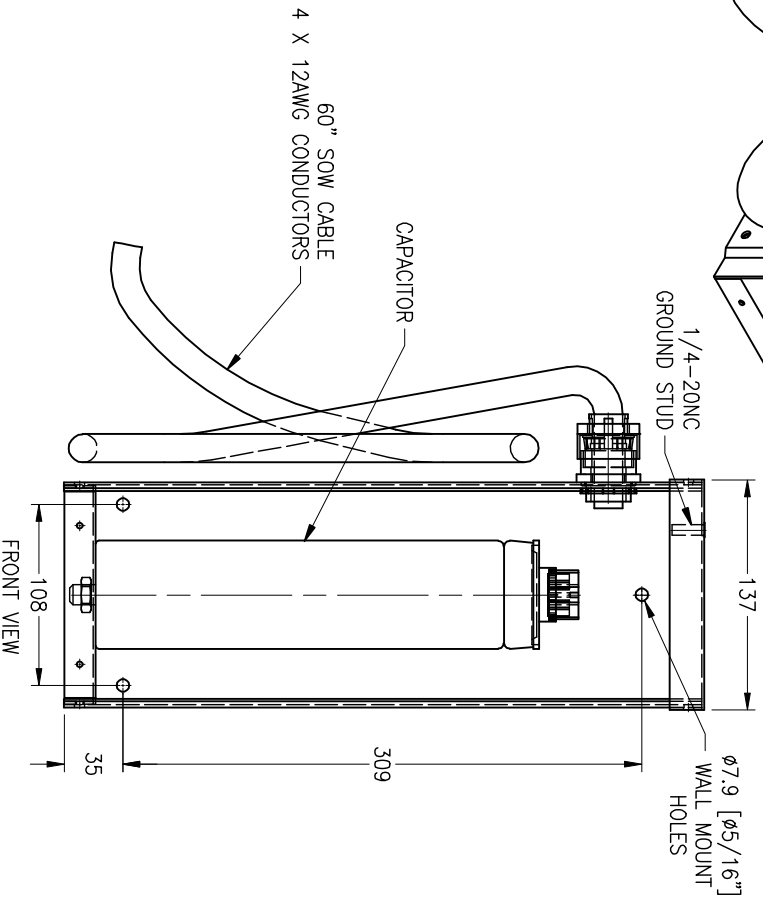
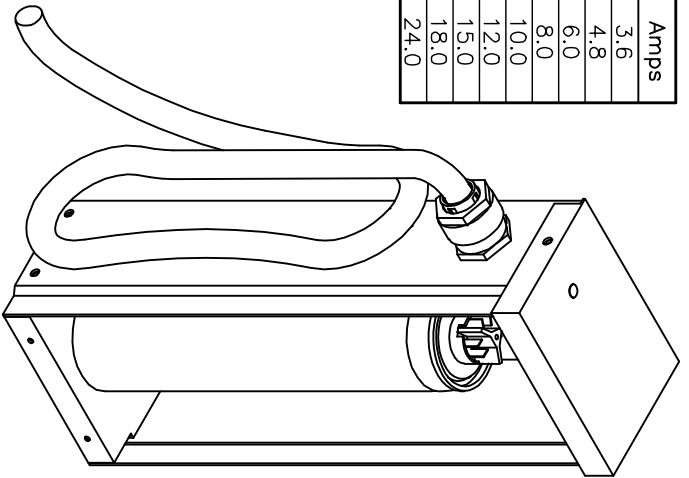


kVA <sub>r</sub>	Amps
3.0	3.6
4.0	4.8
5.0	6.0
6.7	8.0
8.3	10.0
10.0	12.0
12.5	15.0
15.0	18.0
20.0	24.0



**WARNING:**  
CAPACITOR CIRCUIT  
WAIT 5 MINUTES AFTER  
OPENING, THEN SHORT  
CIRCUIT CAPACITORS  
BEFORE HANDLING.

**AVERTISSEMENT:**  
CIRCUIT À CONDENSATEUR  
ATTENDRE 5 MINUTES  
APRÈS DÉMARRAISON  
ENSUITE COURT-CIRCUITER  
AVANT DE MANIPULER.

©2007 ELECTROTEK LTD. TO BE PAID SEPARATELY BY BUYER

5 MINUTE WARNING LABEL,  
SUPPLIED LOOSE, TO BE  
PLACED ON CAPACITOR  
DISCONNECT ENCLOSURE

**Notes:**

1. Discharge resistors provided.
2. NEMA 3R Galvanized enclosure.
3. Floor mounting brackets provided on request.
4. All dimensions in mm unless noted otherwise.

This drawing is the property of Electrotek Ltd. The information and technology herein may not be used nor reproduced without the written permission of Electrotek Ltd. All reproductions, in whole or in part, including shop drawings, shall refer to this drawing.

Revised: 05/12/08

Title: Typical 480 Volt  
Pumpjack Capacitor

Model: R400



1016 34 AV SE Calgary, AB  
T2G 1V4 Canada  
Tel: 403 287 2200 Fax: 403 287 3908  
contact@electrotekltd.com  
www.electrotekltd.com