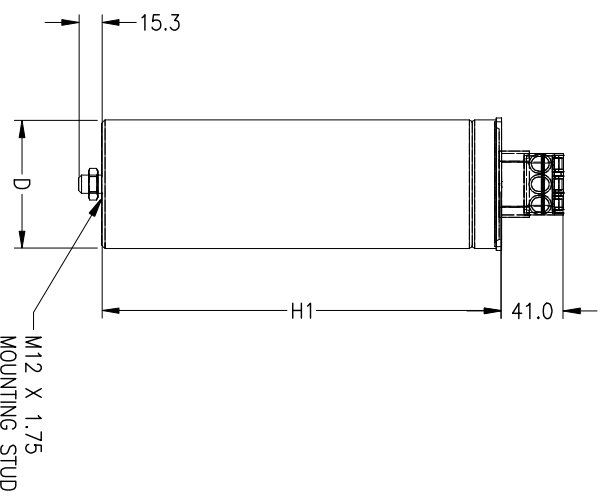


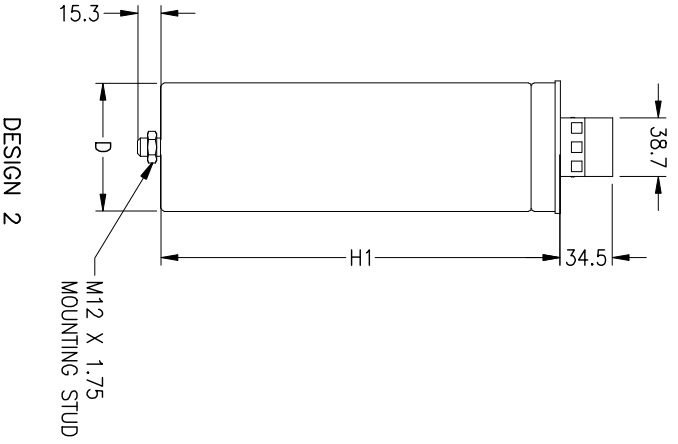
TOUCH SAFE TERMINALS
& DISCHARGE RESISTOR



TOUCH SAFE TERMINALS
& DISCHARGE RESISTOR



DESIGN 1



DESIGN 2

1 MINUTE WARNING LABEL,
SUPPLIED LOOSE, TO BE
PLACE ON CAPACITOR
DISCONNECT ENCLOSURE



Volts	kVAR	Amps	kVAR	NAME	kg	DESIGN 1		DESIGN 2	
				PLATE		VOLTS	H1	D	H1
208	4.9	13.6	6.5	300	1.0			265	65
	9.8	27.2	13.6	300	1.7			265	85
	6.5	15.6	6.5	300	1.0			265	65
240	13.0	31.3	13.0	300	1.7			265	85
	5.0	6.0	6.0	525	0.8			190	65
	6.7	8.0	8.0	525	0.8			190	65
480	8.3	10.0	10.0	525	0.8			190	65
	10.0	12.0	12.0	525	1.0			265	65
	12.5	15.0	15.0	525	1.3			190	85
600	15.0	18.0	18.0	525	1.3			190	85
	20.0	24.0	24.0	525	1.7			265	85
	25.0	30.0	30.0	525	2.1			340	85
999	25.0	30.0	33.0	550	2.1			340	85
	5.0	4.8	7.0	690	0.8			190	65
	6.3	6.1	9.0	690	1.0			265	65
600	8.3	8.0	8.0	690	1.0			265	65
	10.0	9.6	13.0	690	1.3			190	85
	12.5	12.0	17.0	690	1.7			265	85
600	15.0	14.4	20.0	690	1.7			265	85
	20.0	19.0	26.0	690	2.1			340	85
	25.0	24.1	33.0	690	2.1			340	85
999	28.0	21.0	28.0	999	2.1			340	85

5 MINUTE WARNING LABEL,
SUPPLIED LOOSE, TO BE
PLACE ON CAPACITOR
DISCONNECT ENCLOSURE

- Notes:**
1. Discharge resistors provided.
 2. All dimensions in mm unless noted otherwise.

Title:
TYPICAL LOOSE CAPACITOR

Model: R300



This drawing is the property of Electrotek Ltd. The information and technology herein may not be used nor reproduced without the written permission of Electrotek Ltd. All reproductions, in whole or in part, including shop drawings, shall refer to this drawing.

1016 34 AV SE Calgary, AB
T2G 1V4 Canada
Tel: 403 287 2200 Fax: 403 287 3808
contact@electrotek.com
www.electrotek.com